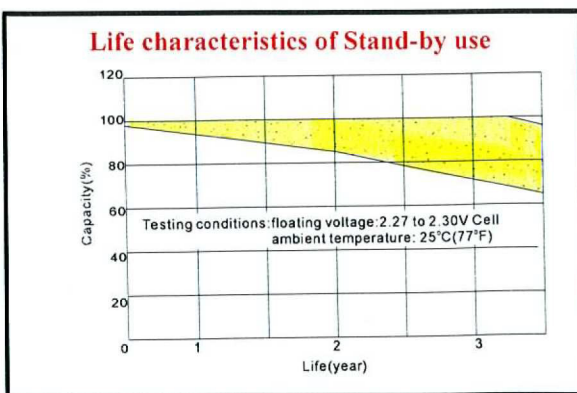
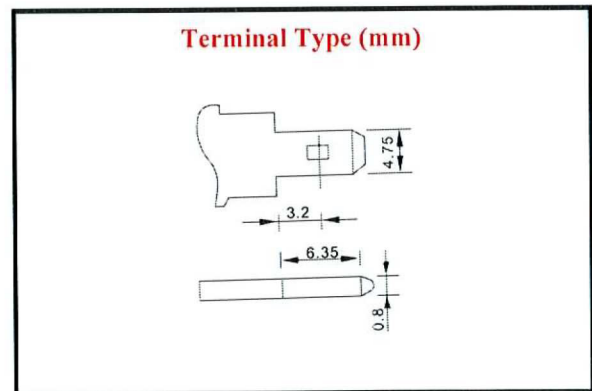
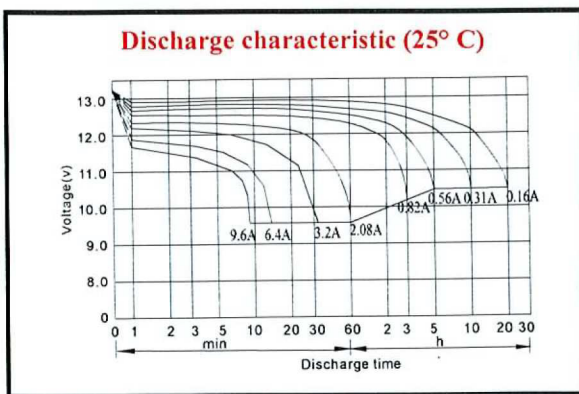
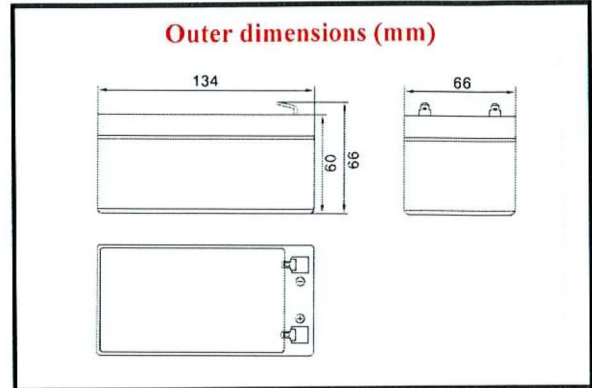


BIGBAT

12V. 3.2 Ah.



Characteristics

| | | |
|---|--|---|
| Capacity 25° C (77° F) | 20 hour rate (0.16 A) 10 hour rate (0.31 A) 5 hour rate (0.56 A) 1 hour rate (2.08 A) | 3.20 AH 3.10 AH 2.80 AH 2.08 AH |
| | 1.5 hour discharge to 10.5V | 1.28 A |
| Internal Resistance | Full charged battery at 25° C (77° F) | 50 m Ω |
| Capacity effected by temperature (20 hour rate) | 40° C (104° F) | 102 % |
| | 25° C (77° F) | 100 % |
| | 0° C (32° F) | 85 % |
| | -15° C (5° F) | 65 % |
| Self-discharge at 25° C (77° F) | Capacity after 3 month storage | 91 % |
| | Capacity after 6 month storage | 82 % |
| | Capacity after 12 month storage | 64 % |
| Charge (constant voltage) | Cycle | Initial charging current less than 1.0 A Voltage 14.50 – 14.90V. |
| | Float | Voltage 13.60 – 13.80V. |

