

DHI-ITC217PW1B-IRLZ

2MP Full HD WDR Network IR Access ANPR Camera



Features

- > High-performance 2 Mega CMOS Sensor
- > HD Image Resolution 1920(H)*1080(V)
- > Motorized lens 2.7-12mm, IR distance to 15m
- > Support plate Recognition (license plate and color)
- > Support two way vehicle snapshot (loop and video)
- > Support to embedded with white list inside the camera to control the barrier.
- > Support PoE, IP67

DHI-ITC217PW1B-IRLZ

Technical Specifications

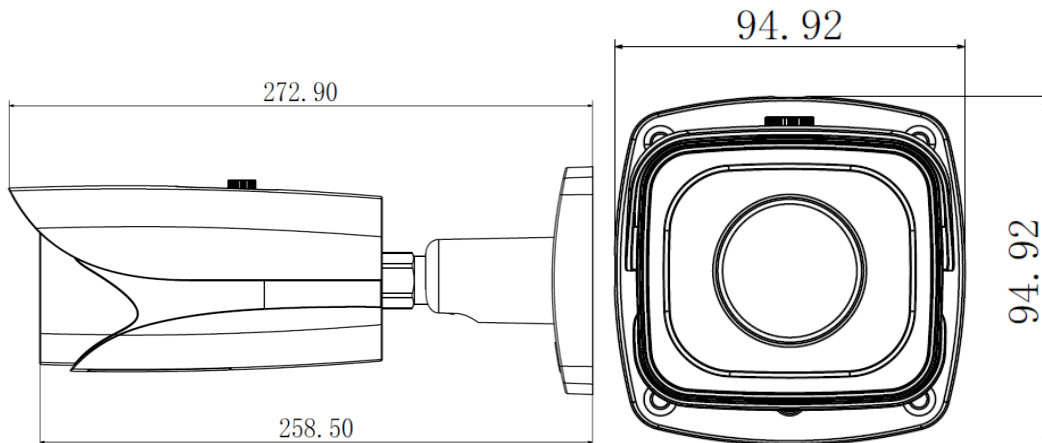
Model	DHI-ITC217PW1B-IRLZ	
Camera		
Image Sensor	1/2.7" 2Megapixel progressive scan CMOS	
Effective Pixels	1920(H) x 1080(V)	
Scanning System	Progressive	
Electronic Shutter Speed	Auto/Manual, 1/3(4)~1/100000s	
Camera Features		
Max. IR LEDs Length	15m	
Day/Night	Auto(ICR) / Color / B/W	
Backlight Compensation	BLC / HLC /WDR(120dB)	
White Balance	Auto/Sunny/Night/Outdoor/Customized	
Gain Control	Auto/Manual	
Noise Reduction	3D	
Lens		
Focal Length	2.7mm~12mm	
Max Aperture	F1.4	
Focus Control	Motorized	
Lens Type	Motorized/ Auto Iris(DC)	
Mount Type	Board-in Type	
Video		
Compression	H.264/H.264H/H.264B/MJPEG	
Resolution	1080P(1920x1080)/1.3M(1280x960)/720P(1280x720)/D1(704x576 /704x480)/CIF(352x288/352x240)	
Frame Rate	Main Stream	1080P/720P(1 ~ 25/30fps)
Audio		
Compression	G.711a/ G.711u/ AAC	
Interface	1/1 channel In/Out	
Smart Function		
Traffic Event	Video detection	
	Loop detection	
	License plate recognition	
	White list embedded, 10000 records, control the barrier opened.	
Network		
Ethernet	RJ-45 (10/100Base-T)	
ONVIF	ONVIF,PSIA,CGI	
Auxiliary Interface		
Memory Slot	Micro SD, Max 128GB	
Alarm	2/1 channel In/Out	
General		
Power Supply	DC12V, PoE (802.3af)	
Power Consumption	<11.5W (with IR on, motorized lens working)	

DHI-ITC217PW1B-IRLZ

Working Environment	-30°C~+60°C, Less than 95% RH
Ingress Protection	IP67
Dimensions	272.9 mm × 94.9mm× 94.9mm
Weight	1.1kg

DHI-ITC217PW1B-IRLZ

Dimensions (mm)



Dahua Technology Co., Ltd.

1199 BinAn Road, Binjiang District, Hangzhou, China

Tel: +86-571-87688883

Fax: +86-571-87688815

Email: overseas@dahuatech.com

www.dahuasecurity.com

*Design and specifications are subject to change without notice.

© 2015 Dahua Technology Co., Ltd.