

TVGP-M01-0401-PTZ-G

TruVision 4MP IP PTZ camera, H.265+, 150 m IR, 25x zoom, PoE+ / 24 VAC, wall mount incl.

Overview

TVGP-M01-0401-PTZ-G is a Pan Tilt Zoom IP camera for use in both indoor and outdoor installations. The camera's 4 megapixel resolution combined with excellent low light capabilities and IR illumination ensures you capture the required level of detail at all times.

The camera is fully programmable, with up to 300 presets along with 8 patrol and preset tours.

The 8-zone privacy mask feature allows these cameras to block out sensitive areas. In addition, the variety of intelligence features and analytics adds substantial value and enhanced performance to any video system.

Video intelligence

The camera comes with a various built-in intelligent video features like line crossing detection, intrusion zone detection, region entry/exit detection and more. Some of these intelligence features can be refined further by adding person/vehicle classification to filter out unwanted events which automatically results in more efficient alarm event and storage management.

Technology

The camera features H.265+ compression to optimize its bandwidth and storage requirements. At the same time, H.264 which is also supported, allows the camera to be connected to legacy installations where needed.

ONVIF, PSIA and CGI command sets ensure that this camera can also be easily connected to virtually any video surveillance system.



Details

- 4MP resolution
- 25x optical zoom, 16x digital zoom
- IR illumination up to 150 m
- Video intelligence with person/vehicle target classification
- H.265+ compression
- Wall mount bracket included

TVGP-M01-0401-PTZ-G

TruVision 4MP IP PTZ camera, H.265+, 150 m IR, 25x zoom, PoE+ / 24 VAC, wall mount incl.

Technical specifications

General

Technology	IP
Video standard	NTSC, PAL
OSD	Text Overlay
Privacy masking	24 programmable polygon privacy masks, mask color or mosaic configurable
Software compatibility	TruVision Navigator, TVRmobile, Web Browser
Plugin-free web browser support	Google Chrome, Mozilla Firefox

Camera

Sensor size	1/2.8"
Max. resolution	4 MP
Sensor scan	Progressive
Sensor type	CMOS
Digital S/N ratio	≥52 dB
Shutter time	1/1 to 1/30,000 s

Lighting performance

WDR type	True WDR
WDR	120 dB
Day/night	True Day/Night
Motorized IR cut filter	Yes
Color sensitivity	Color: 0.005 Lux @ (F1.6, AGC ON); B/W: 0.001 Lux @ (F1.6, AGC ON), 0 Lux with IR
Infrared (IR)	Yes
IR range	150 m
IR wavelength	850 nm

Encoding

Video streams	3
Main stream compression	H.264, H.264+, H.265, H.265+
Sub stream compression	H.264, H.265, MJPEG
Third stream compression	H.264, H.265, MJPEG
Video bit rate	32 to 16 Mbps
Main stream resolutions	1280 x 720 (XVGA), 1280 x 960 (720p), 1920 x 1080 (1080p), 2560 x 1440
Sub stream resolutions	352 x 288 (CIF), 640 x 480 (VGA), 704 x 576 (4CIF)
Third stream resolutions	1280 x 720 (XVGA), 1280 x 960 (720p), 1920 x 1080 (1080p), 352 x 288 (CIF), 640 x 480 (VGA), 704 x 576 (4CIF)
Max. resolution @ fps	2560 x 1440 @ 25 fps

Lens

Focal length	4.8 to 120 mm - Horizontal FoV: 55 to 2.4° (wide-tele), Vertical FoV: 33 to 1.4° (wide-tele), Diagonal FoV: 61.5 to 2.8° (wide-tele)
f-stop	Max. F1.6
Auto iris	Yes
Auto focus	Yes
Motorized zoom	Yes

Pan/tilt/zoom

Pan	Pan speed: configurable from 0.1° to 60°/s; preset speed: 60°/s
Tilt	Tilt speed: configurable from 0.1° to 50°/s; preset speed 50°/s
Endless pan	Yes
Auto flip	Yes
Optical zoom	25x
Digital zoom	16x
Preset positions	300
Preset tours	8
Shadow tours	4

Network

Network interface	RJ-45 10/100 Mbps self-adaptive Ethernet interface
Integration	CGI, ISAPI, ONVIF Profile G, ONVIF Profile S, ONVIF Profile T, SDK
Supported network protocols	802.1x, Bonjour, DDNS, DHCP, DNS, ezDDNS, FTP, HTTP, HTTPS, ICMP, IGMP, IPv4, IPv6, NTP, PPPoE, RTP, RTSP, SNMP, TCP/IP, UPnP
Simultaneous live view	Up to 20 channels

Audio

Audio compression	G.711, G.722.1, G.726, MP2L2, PCM
Audio in	1 input (line in), max. input amplitude: 2-2.4 Vpp, input impedance: 1 KΩ ± 10%
Audio out	1 output (line out), line level, output impedance: 600 Ω
Audio bit rate	64 Kbps (G.711)/16 Kbps (G.722.1)/16 Kbps (G.726)/32-192 Kbps (MP2L2)

Alarm I/O

Alarm inputs	2
Alarm outputs	1

Storage

Local storage type	Built-in memory card slot, support microSD/SDHC/SDXC card
Max. SD card capacity	256 GB

TVGP-M01-0401-PTZ-G

TruVision 4MP IP PTZ camera, H.265+, 150 m IR, 25x zoom, PoE+ / 24 VAC, wall mount incl.

Video intelligence

Alarm trigger	HDD error, HDD full, Invalid login, IP address conflict, Network disconnected
ROI	8 fixed regions for each stream
Smart event	Audio exception detection, Face capture, Intrusion detection, Line crossing detection, Motion detection, Object removal detection, Region entrance detection, Region exiting detection, Unattended baggage detection
Intelligence options	Face capture: can detect up to 5 faces simultaneously. Supports detecting, capturing, grading, selecting of faces in motion, and generates the best face picture. Person/vehicle filtering: these options can be configured on line crossing, intrusion detection, region entry/exit detection.

Electrical

Operating voltage	24 VAC, PoE (802.3at)
Power consumption	Max. 24 W (including max. 9 W for IR and max. 1.6 W for heater)

Physical

Physical dimensions	Ø 210 × 344.7 mm Ø 8.27 × 13.57 in.
Net weight	Approx. 3.0 kg Approx. 6.61 lb.
Colour	Grey (Pantone 428c)
Material	Metal
Form Factor	PTZ
Mount	Corner mount (requires additional accessory), Pendant mount (requires additional accessory), Pole mount (requires additional accessory), Wall mount

Environmental

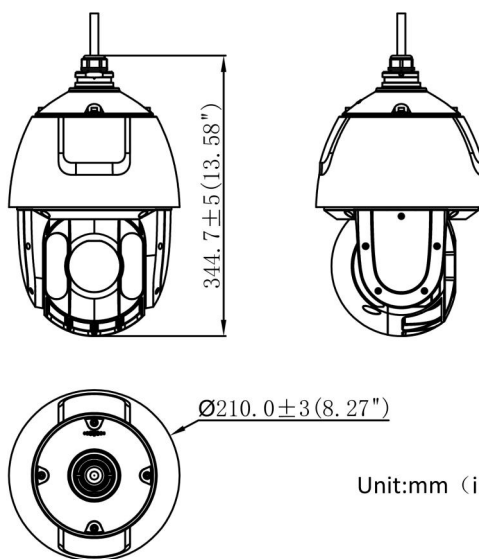
Operating temperature	-30 to 65°C -22 to 149°F
Relative humidity	90% or less, noncondensing
IP rating	IP66

Regulatory

Compliance	CE, EMC, FCC, RCM, REACH, RoHS 3, UKCA, UL, WEEE
------------	--

Compatible accessories

Wall mount bracket	Included
TVMI-PM	TruVision pendant mount bracket, 57 mm / 2.24"
TVMI-PM2	TruVision pendant mount bracket, 200 mm / 7.87"
TVMI-PM3	TruVision pendant mount bracket, 500 mm / 19.7"
TVMI-PMA	TruVision pendant mount extension pipe, 500 mm / 19.68"
TVP-WM-CM	Corner mount: use included wall mount bracket in combination with TVP-WM-CM
TVP-WM-PM	Pole mount: use included wall mount bracket in combination with TVP-WM-PM
TVP-CMB-01	TruVision corner mount with connection box for P and M Series IP PTZ cameras
TVP-PMB-01	TruVision pole mount with connection box for P and M Series IP PTZ cameras



Unit:mm (inch)



As a company of innovation, Carrier Fire & Security reserves the right to change product specifications without notice. For the latest product specifications, visit firesecurityproducts.com online or contact your sales representative.

Last updated on 5 May 2023 - 10:39