

TVGP-M01-0402-BUL-G

TruVision 4MP, H.265+, Smart IP Bullet camera, 60 m IR, 2.8 to 12 mm lens, grey

Overview

The TruVision M-series IP bullet cameras leverages the latest H.265+ video compression technology to bring state-of-the-art, high-definition pictures to the mass video surveillance market. With video resolutions from 2 Megapixel to 4K, these IP cameras represent a flexible video surveillance device to meet any need. Equipped with advanced technology and signal processing capability, they effectively capture video under challenging conditions.

The cameras go above and beyond standard motion detection with enhanced alarm capabilities, including cross line detection, intrusion detection and face detection features. With its smart person/vehicle feature the camera can ignore irrelevant motion or VCA events which will automatically lead to less storage consumption and faster retrieval of relevant video events.

TruVision cameras utilize H.265+ and/or H.264 compression technology with triple-streaming capability, making it easy to manage the camera's bandwidth usage. Recording to a local MicroSD card (not included) protects data in the event of network disruptions.



Details

- Maximum resolution: 4MP (2688 x 1520)
- Motorized zoom lens 2.8 to 12 mm
- Person/vehicle classification
- Video intelligence: intrusion detection, cross line detection, face detection
- Up to 60 m IR illumination
- H.265+ compression
- ONVIF Profile G, S, T open standards
- Edge recording up to 256 GB SDHC card

TVGP-M01-0402-BUL-G

TruVision 4MP, H.265+, Smart IP Bullet camera, 60 m IR, 2.8 to 12 mm lens, grey

Technical specifications

General

Privacy masking	Yes
-----------------	-----

Camera

Shutter time	1/3 to 1/100,000 s
--------------	--------------------

Lighting performance

WDR	120 dB
-----	--------

Digital noise reduction	3D DNR
-------------------------	--------

Color sensitivity	Color: 0.005 Lux @ (F1.6, AGC ON), 0 Lux with IR on
-------------------	---

IR range	Up to 60 m
----------	------------

IR wavelength	850 nm
---------------	--------

Encoding

Video bit rate	32 to 8 Mbps
----------------	--------------

Max. resolution @ fps	2688 x 1520 @ 25/30 fps
-----------------------	-------------------------

Lens

Focal length	2.8 to 12 mm (Horizontal FoV 95.8° to 29.2°, vertical FoV 50.6° to 16.4°, diagonal FoV 114.6° to 33.4°)
--------------	---

f-stop	F1.6
--------	------

Audio

Audio in	1 input (line in), two-core terminal block, max. input amplitude: 3.3 Vpp, input impedance: 4.7 K Ω
----------	--

Audio out	1 output (line out), two-core terminal block, max. output amplitude: 3.3 Vpp, output impedance: 100 Ω
-----------	--

Alarm I/O

Alarm outputs	1 (max. 12 VDC, 30 mA)
---------------	------------------------

Alarm I/O connection	Terminal block
----------------------	----------------

Storage

Local storage type	Built-in Micro SD/SDHC/SDXC card slot
--------------------	---------------------------------------

Max. SD card capacity	256 GB
-----------------------	--------

Video intelligence

ROI	Support 1 fixed region for main stream and sub-stream
-----	---

Intelligence options	Person/vehicle detection on motion, line crossing and intrusion detection
----------------------	---

Electrical

Operating voltage	12 VDC, 1.08 A, PoE: (802.3at, 42.5 to 57 V), 0.36 to 0.27 A
-------------------	--

Power consumption	max. 15 W
-------------------	-----------

Physical

Physical dimensions	308.5 × 97.9 × 93 mm 12.2 × 3.9 × 3.7 in.
---------------------	--

Net weight	1390 g 3.1 lb.
------------	-------------------

Shipping weight	1961 g 4.3 lb.
-----------------	-------------------

Environmental

Operating temperature	-30 to +60°C -22 to +140°F
-----------------------	-------------------------------

Relative humidity	<95% noncondensing
-------------------	--------------------

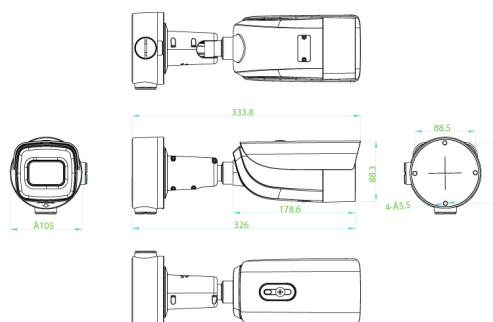
IP rating	IP67
-----------	------

Compatible Accessories

Back Box	Included with camera
----------	----------------------

Compatible products

Category	Reference	Description
Brackets & Mounts	TVD-M-CMA	TruVision Corner Mount Adaptor for TVD-SNB (or TVC-IP Bullet Cameras)
Brackets & Mounts	TVD-M-PMA-SS	TruVision Pole Mount Adaptor, stainless steel



As a company of innovation, Carrier Fire & Security reserves the right to change product specifications without notice. For the latest product specifications, visit firesecurityproducts.com online or contact your sales representative.

Last updated on 18 April 2024 - 13:13