

# XVR301-F Series



## Key Features

- Support H.265/H.264 video formats
- Support audio over coaxial cable(only for TVI cameras)
- Support analog camera upgrade over coaxial cable
- Support TVI, AHD, CVI, CVBS, IP cameras with adaptive access
- 4/8-channel BNC input
- Support 1-ch HDMI output, 1-ch VGA output at up to 1920\*1080
- HDMI and VGA simultaneous output
- Long transmission distance over coaxial cable
- Support mainstream cameras of ONVIF and RTSP protocols

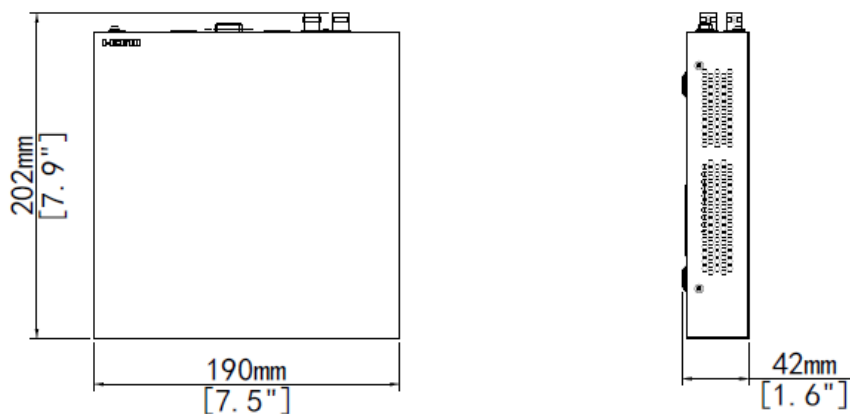
## Specifications

Model	XVR301-04F	XVR301-08F
Video/Audio Input		
Analog Video Input	4-ch, BNC	8-ch, BNC
IP Video Input	2-ch(only IP up to 6ch), each channel up to 6MP	2-ch(only IP up to 10ch), each channel up to 6MP
Supported Analog Camera Types	<b>Support AHD input:</b> 1080P@30fps 720P@30fps <b>Support TVI input:</b> 1080P@30fps	<b>Support AHD input:</b> 1080P@30fps 720P@30fps <b>Support TVI input:</b> 1080P@30fps

	720P@30fps <b>Support CVI input:</b> 1080P@30fps 720P@30fps <b>Support CVBS input</b>	720P@30fps <b>Support CVI input:</b> 1080P@30fps 720P@30fps <b>Support CVBS input</b>		
Audio Compression	G.711U			
<b>Video/Audio Output</b>				
VGA Output	1920x1080p/60Hz, 1920x1080p/50Hz, 1600x1200/60Hz, 1280x1024/60Hz, 1280x720/60Hz, 1024x768/60Hz			
HDMI Output	1920x1080p/60Hz, 1920x1080p/50Hz, 1600x1200/60Hz, 1280x1024/60Hz, 1280x720/60Hz, 1024x768/60Hz			
Synchronous Playback	HD:4-ch SD:4-ch	HD:8-ch SD:8-ch		
Live view display	HDMI/VGA: 1/4/6/8/9	HDMI/VGA: 1/4/6/8/9/16		
<b>Network</b>				
Incoming Bandwidth	24Mbps (Up to 32Mbps after all analog channel conversion)	24Mbps (Up to 40Mbps after all analog channel conversion)		
Outgoing Bandwidth	48Mbps	64Mbps		
Remote Users	128			
Protocols	TCP/IP, P2P, UPnP, NTP, DHCP, HTTP, HTTPS, DNS, DDNS, SMTP			
Browser	IE(IE10/11) for Windows Firefox (version 52.0 and above) for Windows Chrome(version 45 and above) for Windows Edge(version 79 and above) for Windows			
<b>Encoding</b>				
Recording Resolution	1080P Lite/720P/D1	1080P Lite/720P/D1		
Recording Frame Rate	<b>Main stream</b>	<b>Sub stream</b>	<b>Main stream</b>	<b>Sub stream</b>
	1080P Lite@25fps 720P@30fps	D1@25fps D1@30fps	1080P Lite@15fps 720P@15fps	D1@12fps D1@15fps
Audio Sample Rate	8KHz,16 bit per channel			
Audio Bit Rate	64Kbps per channel			
<b>Decoding</b>				
Capability	Analog:4 x 1080P Lite@25, 4 x 720P@30 IP: 1 x 6MP@20, 2 x 1080P@30		Analog:8x 1080P Lite @15, 8x 720P @15 IP: 1 x 6MP@20, 2 x 1080P@30	
<b>Hard Disk</b>				
SATA	1 SATA interface			

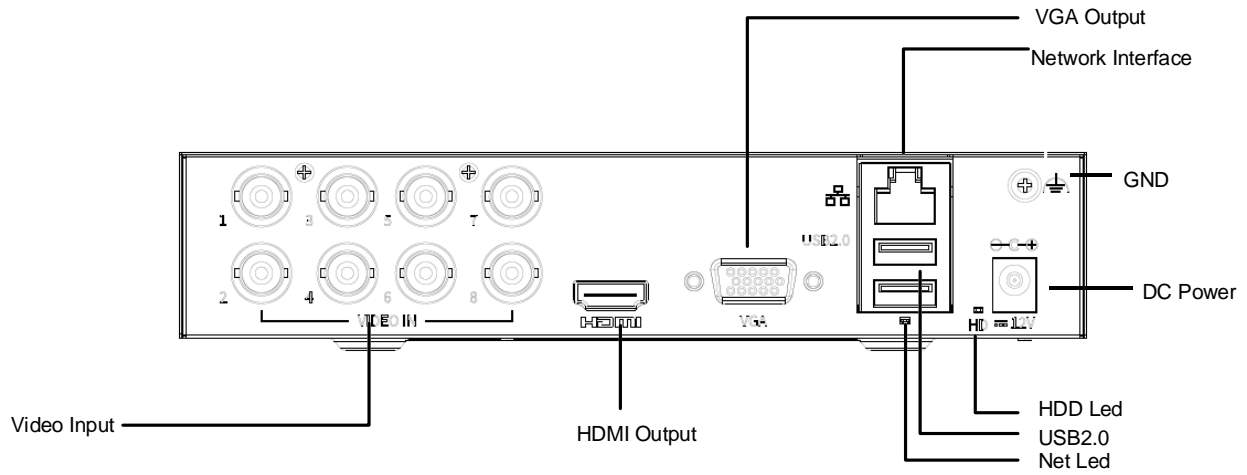
Capacity	Up to 6TB for each HDD
<b>General Alarm</b>	
General Alarm	Motion detection
Alert Alarm	IP Conflict, Network Disconnected, Disk offline, Disk Abnormal, Illegal Access, Hard Disk Space Low, Hard Disk Full, Recording/Snapshot Abnormal
<b>External Interface</b>	
Network Interface	1 RJ45 10M/100M self-adaptive Ethernet Interface
USB Interface	Rear panel: 2 x USB2.0
<b>General</b>	
Power Supply	12V DC Power Consumption: ≤ 10 W( without HDD )
Working Environment	-10°C ~ + 55°C ( +14°F ~ +131°F ), Humidity ≤ 90% RH(non-condensing)
Dimensions(W×D×H)	190mm × 202mm × 42mm (7.5" × 7.9" × 1.6")
Weight ( without HDD )	≤0.6 Kg ( 1.32lb )
<b>Certification</b>	
Certification	UL/CE/FCC /RoHS /WEEE

## Dimensions



## Rear Panel

Take XVR301-08F for example



**Zhejiang Uniview Technologies Co., Ltd.**

Building No.10, Wanlun Science Park, Jiangling Road 88, Binjiang District, Hangzhou, Zhejiang, China

Email: [overseasbusiness@uniview.com](mailto:overseasbusiness@uniview.com); [globalsupport@uniview.com](mailto:globalsupport@uniview.com)

<http://www.uniview.com>

©2022 Zhejiang Uniview Technologies Co., Ltd. All rights reserved.

\* Product specifications and availability are subject to change without notice.