

# unum wls unum wls PI

Indoor Motion Detector

## Installation guide



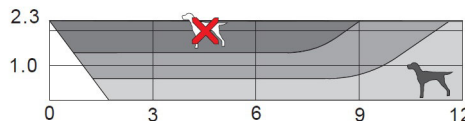
KSI5201000.300 - PIR  
KSI5201100.300 - PIR + Pet Immune

### INTRODUCTION

unum wireless is a digital Dual-Optic Motion Detector available in 2 versions, with and without Pet Immunity up to 10 kg. The Motion sensor is a dual PIR Digi Pyro™ with high Quality EvenEye™ Lens. Thanks to Bi-Directional wls Technology, the PIR settings (sensitivity and range selection at 6 or 12 m) are programmable directly from the configuration web Interface, without no need of selecting jumpers or dip-switches, and without no need to open it. Additionally, it is possible to deactivate the PIR sensor when the system is disarmed (default setting) so as to reduce drastically the current consumption with consequent increase of the battery life. Instead, with particular reference to Home-Automation applications, it is possible to program the PIR sensor to be always powered.

### PET IMMUNITY (only KSI5201100.300)

The unum wls is designed to allow the presence of pets (10kg or lighter) without signaling an alarm. NOTE: pets come in many varieties. Some pets (especially larger ones with very short hair), even if lighter than 10kg, may produce enough infrared radiation to cause alarms. It's highly recommended to test the sensor with individual pets, in order to confirm lack of alarm. See diagram below.

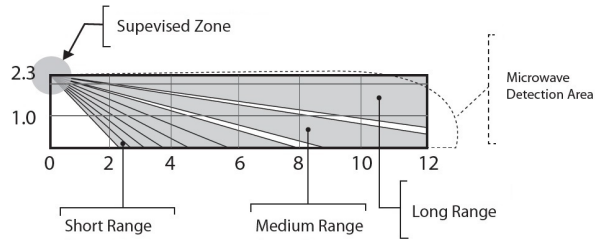


### WALK TEST

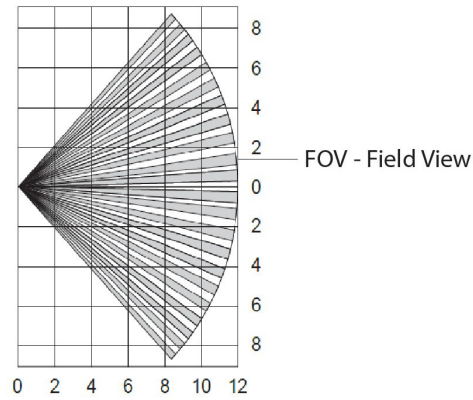
The Walk-Test mode is activated every time you insert the battery and close the front cover. To enter this mode when the device is already installed, you have to open the front cover, disconnect the battery then reverse the procedure (insert the battery and close the front cover). During the Walk-Test, which has a duration of 10 minutes, unum will detect movements within the view pattern, signalling them with flashing of the LED, with an interval of at least 3 seconds between each flash and the next. The status information is transmitted to the lares Integrated Panel every 30 seconds.

**COVERAGE DIAGRAM**

**Optical view pattern side view in meters**

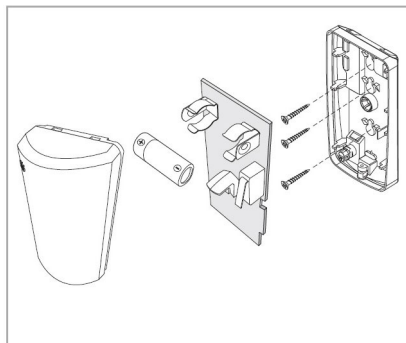


**Optical view pattern top view in meters**

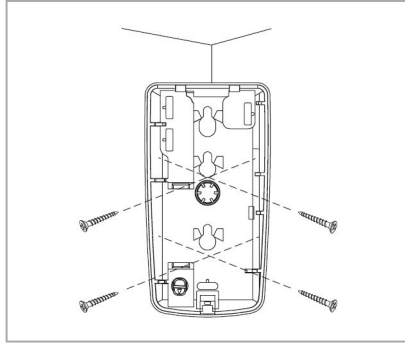


**INSTALLATION**

**Wall mount**

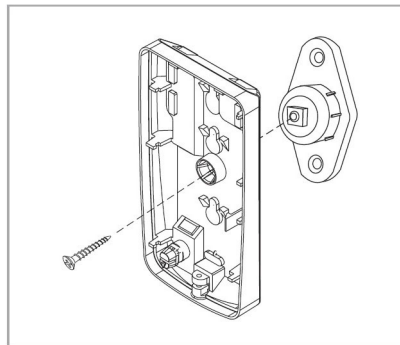


## Corner mount



## Bracket installation

Note: In order to maintain the compliance with the law, the detector has to be installed by using the screw for the anti-removal tamper and without the bracket.

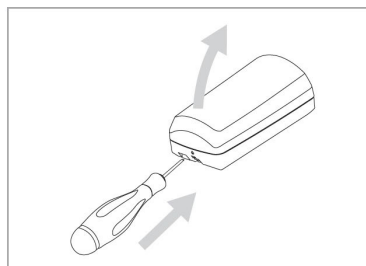


- The sensor have to be mounted at 2.3m height from the floor.
- The base of the sensor should be fixed to the vertical wall ( $\pm 2^\circ$ ).
- The bracket should be fixed on a semi-vertical surface ( $\pm 15^\circ$ ).
- The sensor should be placed on the bracket in vertical position ( $\pm 2^\circ$ ).
- Do not install less than 30cm away from windows and/or reflected light.
- Do not install near heat sources.
- The glass blocks the view of the PIR sensor.
- Leave clear line-of-sight from sensor to monitored area.

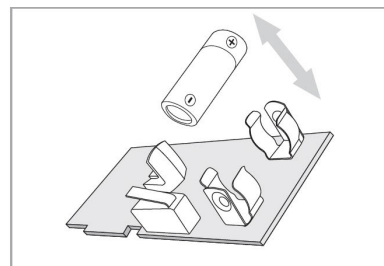
Note: All fixing devices required for the proper installation are included in the package.

## REPLACING THE BATTERY

### Open the front cover



### Replace the battery



**Note:** temperatures below +5 °C can cause the unum to report a false low battery indication. Operation below +5 °C will reduce the battery life significantly.

**Caution!** Observe the correct polarity when installing battery. Use only Lithium CR-123A batteries for replacement. Risk of explosion if the battery is replaced by an incorrect type.

**Warning!** Battery may explode if mistreated. Do not recharge, disassemble or dispose of in fire. Dispose of used batteries according to the instructions.

## ENROLLING

- Acquire the sensor from the lares 4.0 control panel as described in the lares 4.0 Programming Manual.
- Remove the battery-contact insulator.
- Close the front cover.

## TECHNICAL DATA

- IR Sensor: Dual Element Digi Pyro
- Power: 1 CR123A Lithium battery included for a maximum battery life up to 4 years
- RF immunity: 20 V/m, 10-1000 MHz; 10 V/m, 1-2 GHz
- White Light Immunity: 6500 lux
- Coverage: adjustable from software at 6 or 12 m. range
- Operational Frequency: 868 MHz
- Open Air Range: up to 400 m
- Protection tamper: anti-opening and anti-removal
- Operational Temperature: from -10°C to +40°C
- Materials: Base: ABS; Front: HDPE
- Dimensions: 113 x 60 x 45 mm (h x w x d)
- Weight: 104 g

## QUANTITY DATA

lares 4.0 models	wls 96	16	40	40 wls	140 wls	644 wls
Maximum number of unum wls sensors	32	16	40	40	64	64

Technical data, appearance, functionality and other product characteristics may change without notice.

## CERTIFICATIONS

Europe - RoHS, CE  
 EN 50131-1:2006 + A1:2009 + A2:2017 + A3:2020  
 EN 50131-2-2: 2021  
 EN 50131-5-3:2017 Grade 2 - Class II  
 T031: 2017 + A1:2018 + A2:2022 (only unum wls PI)  
 T031:2014  
 SSF 1014 Larmklass R

