

32" Desk Mechanical Mounts

HB-5032-H

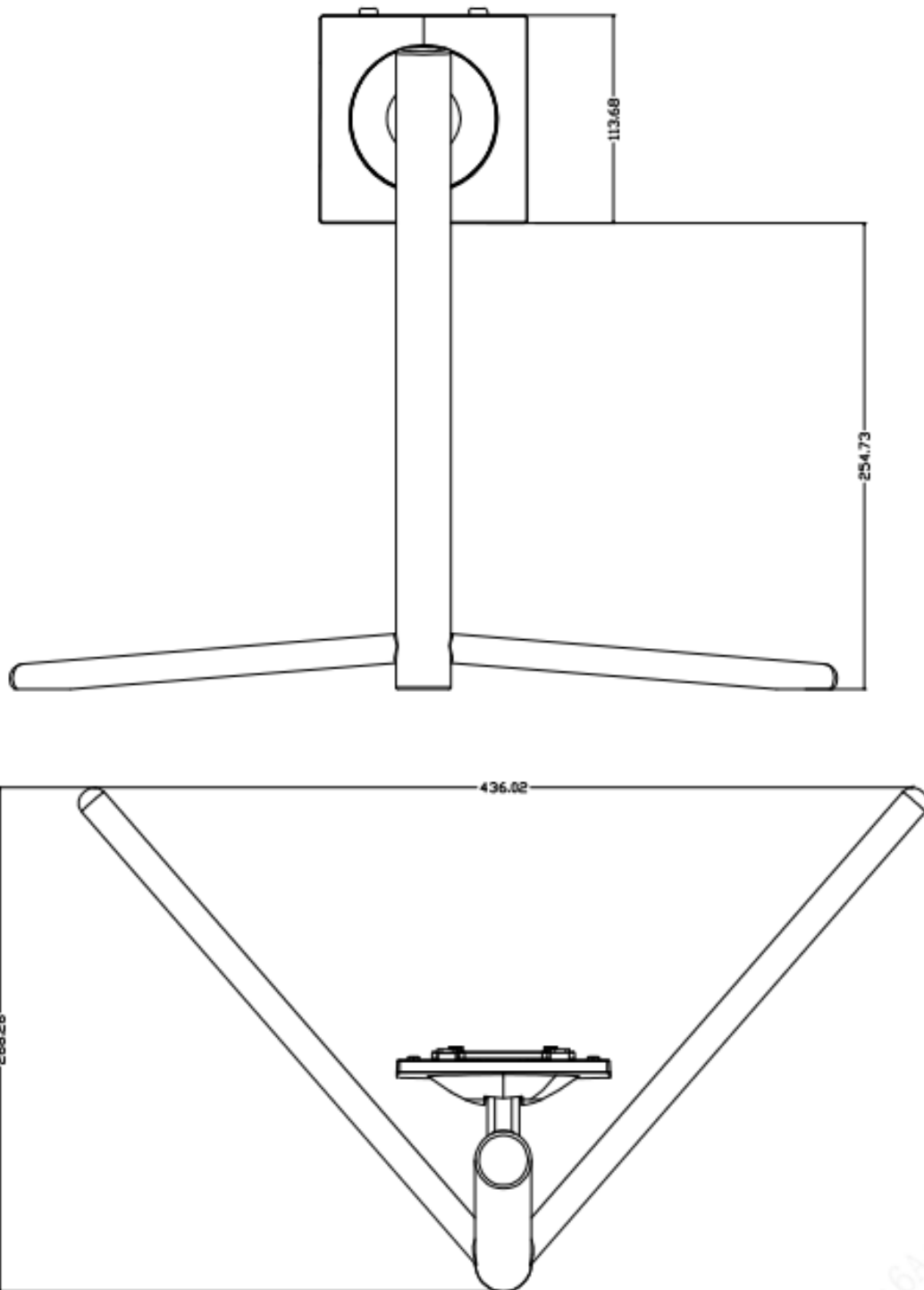


Specifications

Model	HB-5032-H
Product dimensions (W×H×D)(mm)	436.02*368.41*268.26
Package dimensions (W×H×D)(mm)	490 × 130 × 320
Weight (kg)	Net weight: 1.05 Gross weight: 1.7
Material	SGCC

Dimensions

2022



ES:0A:67

Zhejiang Uniview Technologies Co.,Ltd.

Building No.10, Wanlun Science Park, Jiangling Road 88, Binjiang District, Hangzhou, Zhejiang, China

Email: overseasbusiness@uniview.com; globalsupport@uniview.com

<http://www.uniview.com>

©2021 Zhejiang Uniview Technologies Co.,Ltd. All rights reserved.

*Product specifications and availability are subject to change without notice.